

## Cost-effective PTZ Dome

# EV6230A IP Camera

- ▶ High Sensitivity Sony CCD Sensor; 480 TVL
- ▶ High Acceleration Rate Stepping Motor with Accurate and Steady Control
- ▶ Up to 312X Zoom (26X Optical, 12X Digital)
- ▶ 30fps, M-JPEG, MPEG-4 at D1 Resolution
- ▶ Auto Heater and Blower Control

EV6230A series dome IP cameras provide full flexibility by offering 360-degree pan rotation, 90-degree vertical tilt with automatic flip function, and advanced mechanical design for continuous camera movement. You benefit from extensive zooming capabilities, multiple alarm possibilities, and very quick pan and tilt operation. EV6230A Dome Housing protects Etrovision network cameras in outdoor environments, as well as in indoor conditions that may be humid, cold or dusty. Designed to look like a traditional lighting system, the housing allows for discreet surveillance. Its lower semi-sphere covering comes in semitransparent black. The housing provides an internal protective passage for cables and is easy to install on ceilings and walls.



### ■ Main Features

#### High quality video and audio

- ▶ High-speed hardware-based M-JPEG and MPEG-4 image compression
- ▶ Up to 312X Zoom (26X Optical, 12X Digital)
- ▶ 30 FPS @ D1 resolution
- ▶ Configurable bit-rate from 32Kbps to 3Mbps
- ▶ Bi-directional audio support

#### Advanced mechanical design

- ▶ Rugged mechanical design
- ▶ Indoor and IP66 compliant outdoor housing available
- ▶ Auto heater and blower control

#### Easy & quick network configuration

- ▶ Proprietary EtroLink™ USB Port

#### Powerful video management

- ▶ Instant/URL snapshot and local video recording
- ▶ Built-in web viewer
- ▶ Pre/Post buffer for image/video capturing
- ▶ DDNS support

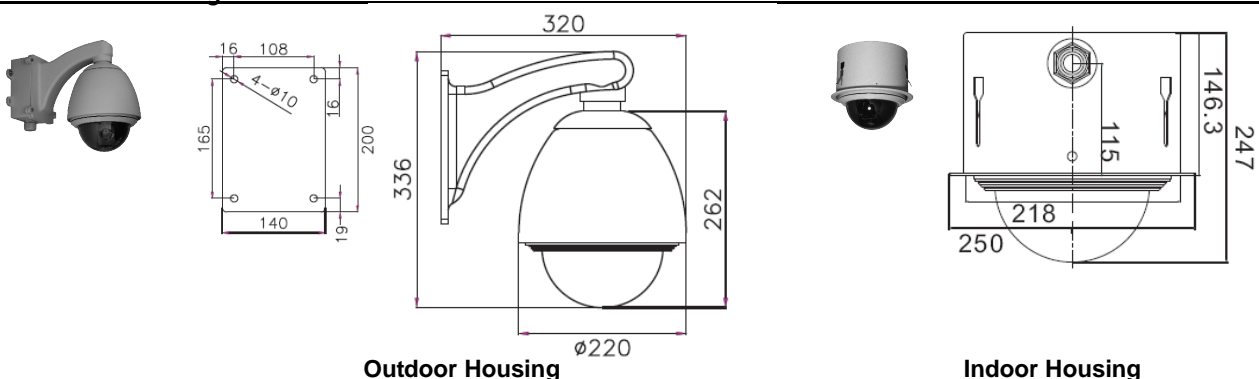
#### Advanced alarm handling

- ▶ Video Loss/ Power Loss/ Network Loss detection
- ▶ Stream-based motion detection with configurable detection areas
- ▶ FTP and Email event handler

#### Optimized API for SW integration

- ▶ EtroSDK™: Windows/WinCE .NET/Linux

### ■ Dimension Diagram



## SPECIFICATION

	Model	EV6230A-BI EV6230A-BO	EV6230A-CI EV6230A-CO	EV6230A-DI EV6230A-DO
Sensor & Lens	Sensor	SONY 1/4" EX-VIEW CCD		
	Lens	f=4.1mm(wide) to 73.8mm(tele), F1.4 to F3.0		f=3.5mm(wide) to 91mm(tele), F1.6 to F3.8
	Day & Night	N/A	Built-in IR-Cut	Built-in IR-Cut
	Number of effective pixels (HxV)	App. 380,000(NTSC) , App.440,000(PAL)		
	Iris & Focus	Auto iris & auto focus		
	BLC	Auto		
	White Balance	Auto		
Analogue Video Output	Horizontal resolution	480 TV Lines		
	S/N ratio	More than 50dB		
	Minimum illumination	1.0 lx	0.01 lx	0.01 lx
System	CPU	ARM 9 based 32 bit RISC		
	SDRAM	64 MB		
	Flash	8 MB		
	Embedded OS	Linux 2.4		
Compression –Video/Audio	Format	M-JPEG, MPEG-4 dual codec		
	Frame Rate	Up to 30fps (NTSC) / 25fps (PAL) @ D1 resolution		
	Bit Rate	32k ~ 3M bps		
	Video Resolution	NTSC: D1 (720x480), CIF(352x240), QCIF(176x120) PAL: D1 (720x576), CIF(352x288), QCIF(176x144)		
	Bit Rate	32k ~ 3M bps		
IP Network	Ethernet	10/100 Base-T		
	Protocol	TCP/IP, DHCP, PPPoE, HTTP, DDNS, NTP, FTP, SMTP, UDP		
I/O Connector	Network	1 X RJ-45 (female type)		
	Power	1 X DC jack (female type)		
	Alarm In / Out	1 X Digital Input / 1 X Digital Output		
	Audio	1 X Line In / 1 X Line Out		
Mechanical Info	Video	1 X Video Out		
	Power Supply	12V DC / 2.42 A		
	Dimension	218 (Ø) x 247 (H) mm (Indoor) 220 (Ø) x 262 (H) mm (outdoor)		
	Weight	~ 7 kg		
Pan/Tilt/Zoom	Fan & Heater	Auto activation		
	Pan / Tilt	360° Continuous Pan Rotation / 90° Scan Range / 180° Auto Flip		
Minimum System Requirements	Zoom	72X(18xOptical, 4xDigital)	216X(18xOpti., 12xDigital)	312X(26xOpti., 12xDigital)
	CPU	Pentium 4, 2.4GHz and above		
	Hard Disk	40 GB or above		
	Memory	512 MB or above		
	Operating System	Windows XP with SP2 or above / Windows 2000 with SP4 or above		
	Video Resolution	SVGA or XGA with 1024x768 resolution		
	Software	DirectX 9.0C or above		
Management & Support	Configuration	EtroScan utility		
	Integration	EtroSDK™ support (Windows, Linux, WinCE.NET)		
	USB port	EtroLink™ Config port / Mini-USB female socket		
	Web Browser	Microsoft Internet Explorer 6.0, or above		
Operating Environment	Security	Password protection		
	Temperature	0 °C ~ 40 °C (32 °F ~ 104 °F)		
Supplied Accessories	Humidity	20% ~ 80% RH		
		Power Adapter, USB cable, CD-ROM (User Manual, Etrostation™ , SecuWatch™ )		

\*Note : The model name EV6230A-XI / XO where "I" stands for Indoor model, "O" stands for Outdoor model

E-mail: [etrosales@etrovision.com](mailto:etrosales@etrovision.com), TEL: +886-2-26551518  
 2F, Block C, Nan Kang Software Park,  
 19-5 San-chung Rd., Nan Kang District, Taipei 115, Taiwan



All product specifications on this brochure are subject to change without notice.